

Vertical platform lift



- **SAFETT:** our model LAIDA is equipped with the most advanced safety systems that make it a very safe equipment for both the user and the environment.
- **ECONOMY:** it is equipped with an electronic VF system that guarantees efficient consumption.
- **QUALITY COMMITMENT:** our products are manufactured under the strictest quality controls.
- **MADE IN SPAIN:** we are very proud to be the manufacturers of an equipment conceived and produced 100% in Spain

OMEGA

- Vertical platform lift for wheelchairs. Made for displacements up to 1 m and 0,15 m/sec speed.
- It is an ideal deck lift for residential buildings with change of level to access the lift or the landing. Moreover, it is also approved for certain commercial accessibility projects such as banks, restaurants, shops, offices or any public building.
- Load capacity up to 250 Kg.
- Accesses: 180°.
- Maximum security, emergency manual lowering, parachute and the possibility of opening doors from the outside.
- Constant pressure buttons at stops and on car.
- Perimeter protection below under the platform to avoid crushing risks.
- Door closing and opening automation (optional).
- 230 V single phase power supply.
- Standard colour: light grey RAL 9002.

LAIDA VERTICAL PLATFORM

RAL 9002

RAL 9005



PERIMETER PROTECTION
BELLOW

www.omegaelevator.com

From OMEGA we offer a wide range of solutions to every exterior and interior architectural barriers that hinder accessibility of the elderly and people with reduced mobility.

Stairs, prolonged slopes or change of levels should not suppose a problem in our society.

At OMEGA we are seeking the satisfaction of our clients by providing architectural advice for the full adaptation of the platform to their environment. We also give colour and dimension advice or other possibilities that the product can offer.

The LAIDA model is manufactured under the strictest production standards complying with:

- Machinery Directive 2006/42/CEE
- Low voltage 2014/30 CEE
- DB-SUA 2
- EN 60201-1

Technical features:

Vertical slide:

Motion system:

Control panel:

Cabin and exterior doors:

Protection:

Speed:

Load:

Single-phase power supply voltage:

*Optional motorised doors

Dimensions :

Total height:

LAIDA

2293 mm

Lifting height:

1000 mm

Platform sizes:

800x 1250 800x1250 700x1250 700x1250

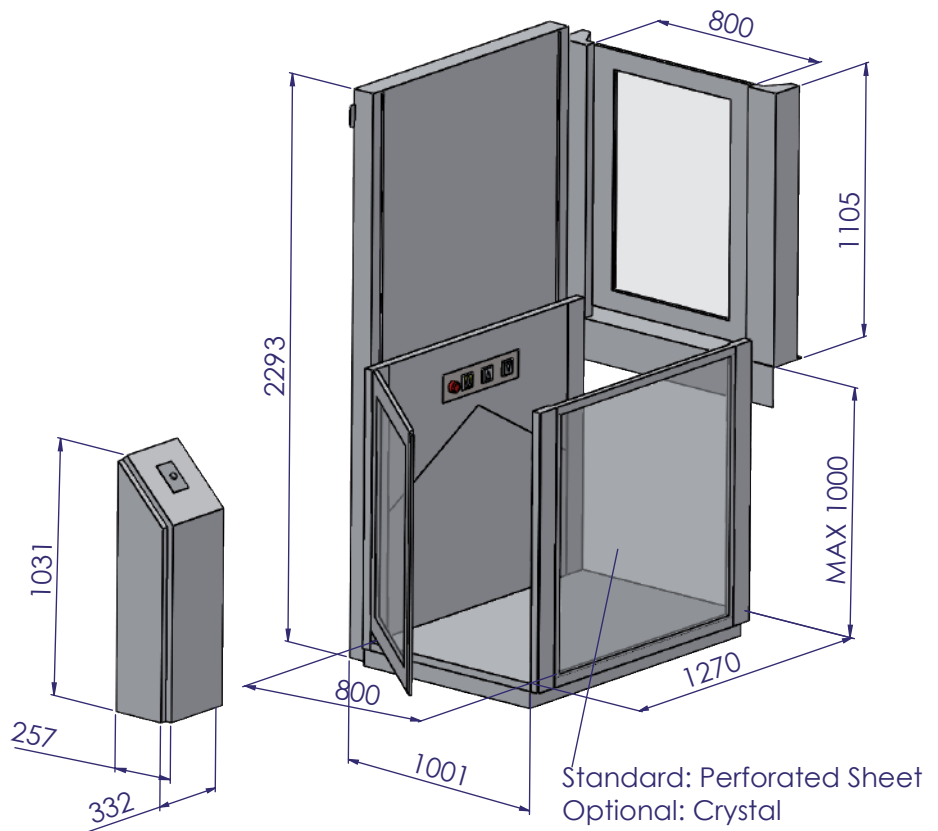
Pit sizes:

1100 x1320 *1030x1320 *1000x1320 *930x1320

Depth:

100 mm

***Optional measures**



By rails placed along the structure where every component is placed.

By hydraulic cylinder.

Separated from the tower. You can enter the floor call button

Security lock with triangle key rescue.

Bellow in the entire lower perimeter of the platform or enclosure.

0,05 m/sec max.

250 kg max.

16 A. Indoor operation at 24 V ready for the shifter.