

Vertical platform lift



Polished stainless steel version



Onboard buttons

- **SAFETY:** our model AYALA is equipped with the most advanced safety systems that make it a very safe equipment for both the user and the environment.
- **ECONOMY:** it is equipped with an electronic VF system that guarantees efficient consumption.
- **QUALITY COMMITMENT:** our products are manufactured under the strictest quality controls.
- **MADE IN SPAIN:** we are very proud to be the manufacturers of an equipment conceived and produced 100% in Spain

OMEGA

- Vertical platform lift for wheelchairs. Made for displacements up to 3 m and 0,15 m/sec speed.
- It is an ideal deck lift for residential buildings with change of level to access the lift or the landing. Moreover, it is also approved for certain commercial accessibility projects such as banks, restaurants, shops, offices or any public building.
- Load capacity up to 385 Kg.
- Accesses: 90° or 180°.
- Maximum security, emergency manual lowering, parachute and the possibility of opening doors from the outside.
- Constant pressure buttons at stops and on car.
- Perimeter protection bellow under the platform to avoid crushing risks.
- Door closing and opening automation (optional).
- 230 V single phase power supply.
- Standard colour: light grey RAL 9002.

AYALA VERTICAL PLATFORM

RAL 9002

RAL 9005



PERIMETER PROTECTION
BELLOW

www.omegaelevator.com

From OMEGA we offer a wide range of solutions to every exterior and interior architectural barriers that hinder accessibility of the elderly and people with reduced mobility.

Stairs, prolonged slopes or change of levels should not suppose a problem in our society.

At OMEGA we are seeking the satisfaction of our clients by providing architectural advice for the full adaptation of the platform to their environment. We also give colour and dimension advice or other possibilities that the product can offer.

The AYALA model is manufactured under the strictest production standards complying with:

- Machinery Directive 2006/42/CEE
- Low voltage 2014/30 CEE
- DB-SUA 2
- EN 60201-1
- Prepared for EN 81-41

Technical features:

Vertical slide:

Motion system:

Control panel:

Cabin and exterior doors:

Protection:

Speed:

Load:

Single-phase power supply voltage:
*Optional motorised doors

Dimensions :

Total height:

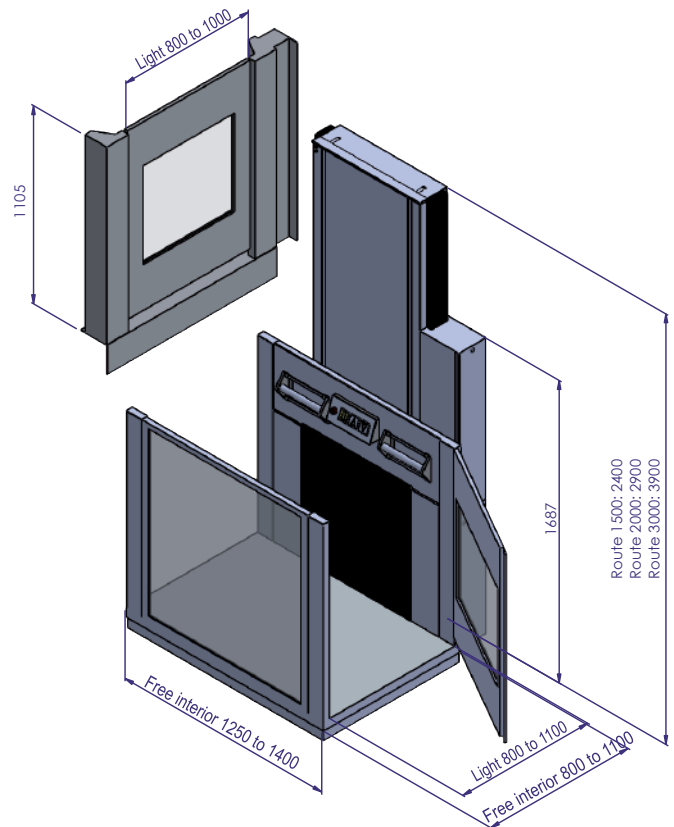
Lifting height:

Platform sizes:

Pit sizes:

Depth:

AYALA 1500	AYALA 2000	AYALA 3000
2400 mm	2900 mm	3900 mm
1500 mm	2000 mm	3000 mm
800 x 1250	900 x 1400	1100 x 1400
1200 x 1310	1300 x 1460	1500 x 1460
100 mm	150 mm	80 mm



By rails placed along the structure where every component is placed.

By hydraulic cylinder.

Side with easy access for maintenance.

Security lock with triangle key rescue.

Bellow in the entire lower perimeter of the platform or enclosure.

0.15 m/sec max.

385 kg max.

16 A. Indoor operation at 24 V ready for the shifter.